

T SERIES SCISSOR LIFT

EL8-T EL10-T

Rothlehner
podesty ruchome



ELS LIFT

OUTPOWER THE GRAVITY.



ADVANTAGES

- Easy parts replacement
- Safe driving at full height
- High maneuverability
- CAN communication protocol
- CE-EN280 certificate
- 220 V power outlet and cable on platform

STANDART FEATURES

- Proportional control
- Emergency stop button
- Cylinder holding valve
- Non-marking tyre
- Automatic pothole protection
- Onboard diagnostic system (Platform and Ground)
- Emergency lowering system
- Platform extension
- Horn
- Lifting with forklift and crane
- Charger protection
- All motion alarm
- Maintenance bar
- Hour meter
- Flashing beacon
- Integrated tilt sensor with alarm
- Pressure sensor



T SERIES SCISSOR LIFT

EL8-T EL10-T

Rothlehner
podesty ruchome



ELS LIFT

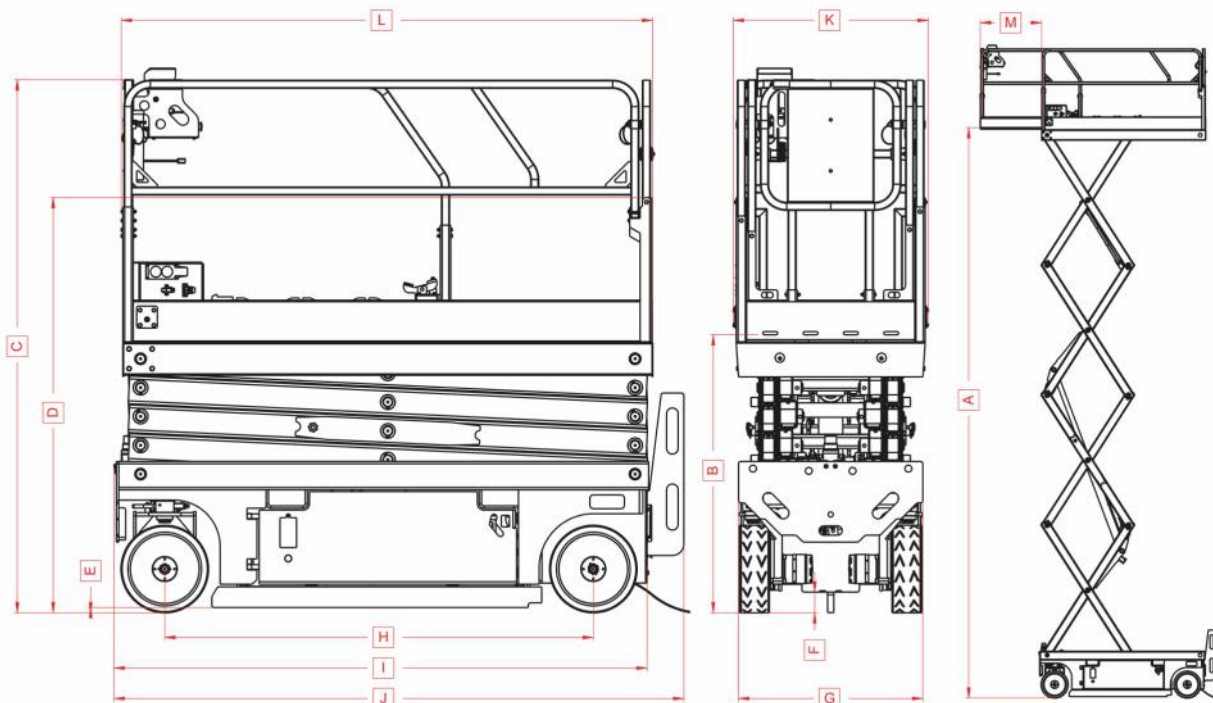
OUTPOWER THE GRAVITY.

DIMENSIONS

	EL8-T	EL10-T
Max. Working Height	8 m	10 m
A Max. Platform Height	6 m	8 m
B Stowed Height (Platform)	1.03 m	1.21 m
C Stowed Height (Guardrails)	2.11 m	2.31 m
D Transport Height	1.62 m	1.81 m
E Ground Clearance - With Pothole Guards Deployed	0.02 m	0.02 m
F Ground Clearance - Center	0.09 m	0.09 m
G Width	0.80 m	0.80 m
H Wheelbase	1.86 m	1.86 m
I Length	2.31 m	2.31 m
J Length With Access Steps	2.47 m	2.47 m
K Platform Width	0.85 m	0.85 m
L Platform Length	2.32 m	2.32 m
M Platform Extension	0.86 m	0.86 m

TECHNICAL SPECIFICATIONS

	EL8-T	EL10-T
Max. Load Capacity of Main Platform	350 kg	240 kg
Max. Capacity of Extension	150 kg	150 kg
Gradeability	25%	25%
Ascent / Descent Time	35 / 35 sec	45 / 45 sec
Wheel Dimension	Solid 15 x 5"	Solid 15 x 5"
Hydraulic Tank Capacity	25 L	25 L
Hydraulic Unit	24 V/4.5 kW/3.8 cc	24 V/4.5 kW/3.8 cc
Battery	4 x 6 V 225 Ah	4 x 6 V 225 Ah
Battery Charger	24 V / 20 A	24 V / 20 A
Total Weight	1760 kg	2000 kg
Working Slope	2°- 3°	2°- 3°



OUTPOWER THE GRAVITY.

Rothlehner
podesty ruchome

Rothlehner - podesty ruchome Sp. z o.o.
ul. Energetyków 4 32-050 Skawina
+48 12 267 58 11 rothlehner.pl